



Gidrolica
Drainage systems production



**PROFESSIONAL
DRAINAGE SYSTEMS**

Eurotrading
Professional drainage systems



Company Gidrolica is specialized in integrated production of overflow pipes, plastic, concrete and resin concrete surface drainage systems including soil protection and reinforcement systems and dirt guard systems. Using long-term experience of our own specialists, the best domestic and foreign solutions company designs and produces gutters, drainage channels, storm grates, sand traps and their components.



A15 15kN\1,5t
Pedestrian areas, sidewalks, public gardens, parks, bicycle paths, private house building



B125 125kN\2,5t
Areas for passage of bicycles and motor transport



C250 250kN\25t
Areas for passage of cars, parking lots, garages



D400 400kN\40t
Areas for passage of trucks, gas stations, car washes, trucking companies, transport terminals, industrial zones



E600 600kN\60t
Areas for passage of trucks, industrial enterprises, docks, warehouses



F900 900kN\90t
Areas of road surface high loads, airports, military bases, cargo terminals

GIDROLICA® LIGHT PRODUCT LINE

Gidrolica® Light is polypropylene gutter sets with galvanized steel or plastic gratings designed specially for pedestrian areas.



GIDROLICA® LIGHT PRODUCT LINE



A15



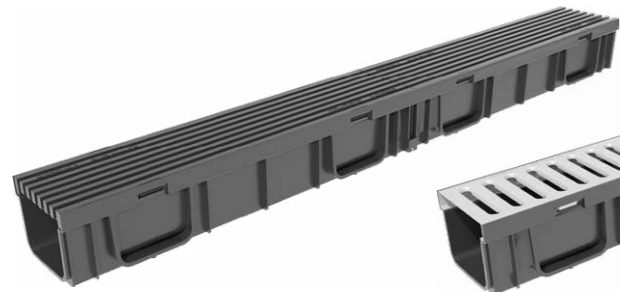
18062



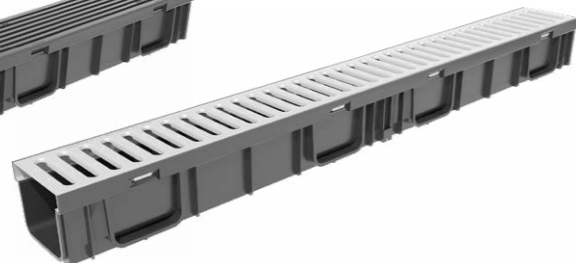
18061



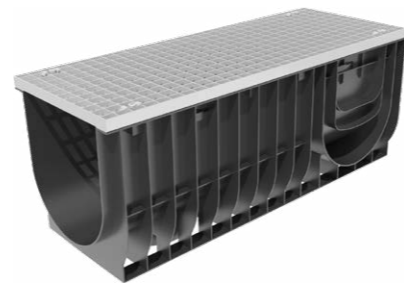
08098A



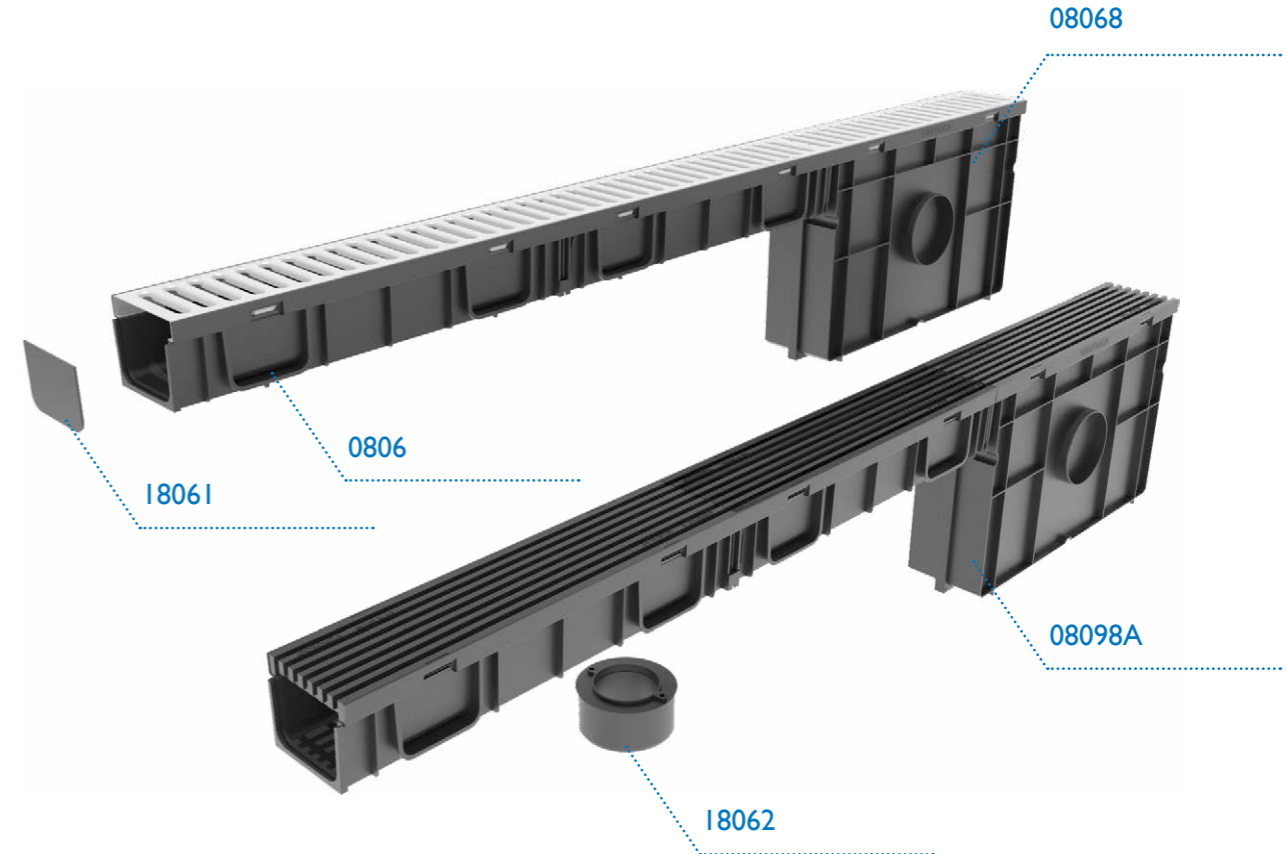
0809A



0806



0806A



GIDROLICA® STANDART PRODUCT LINE

Gidrolica® Standart are standard plastic gutters with different application scope



C250



DN 100



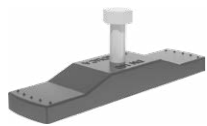
808



805



800



108



804



802

GIDROLICA® STANDART PRODUCT LINE



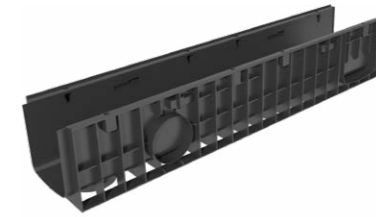
C250



DN 150



815



816



828

DN 200



820



821



822



128



118

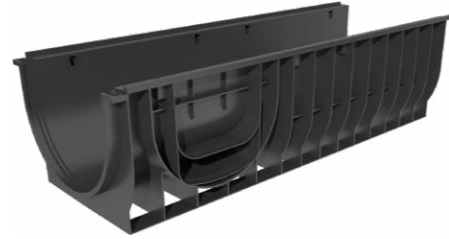


DN 300

C250



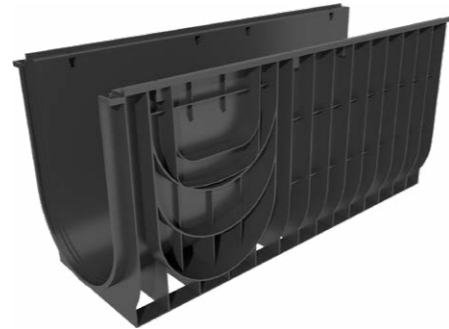
830



832



239



834



128



DN 100

C250



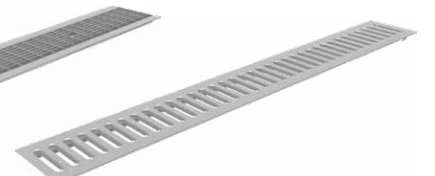
506



507



501



508

DN 150



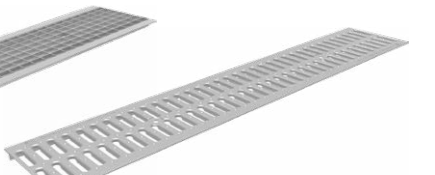
516



517



511



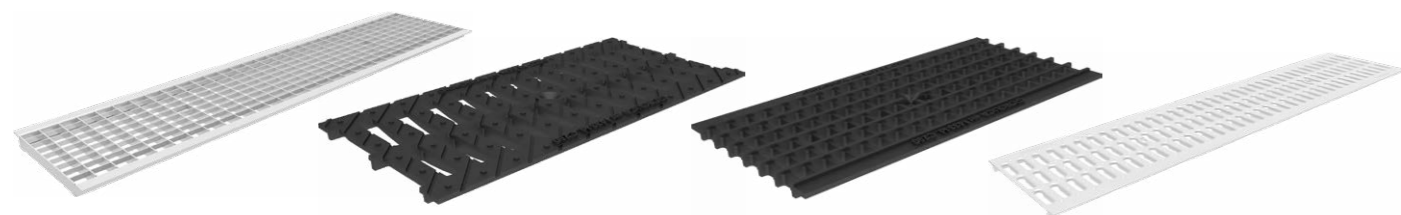
518

GIDROLICA® STANDART PRODUCT LINE (GRATINGS)



DN 200

C250



522

524

527

528

DN 300

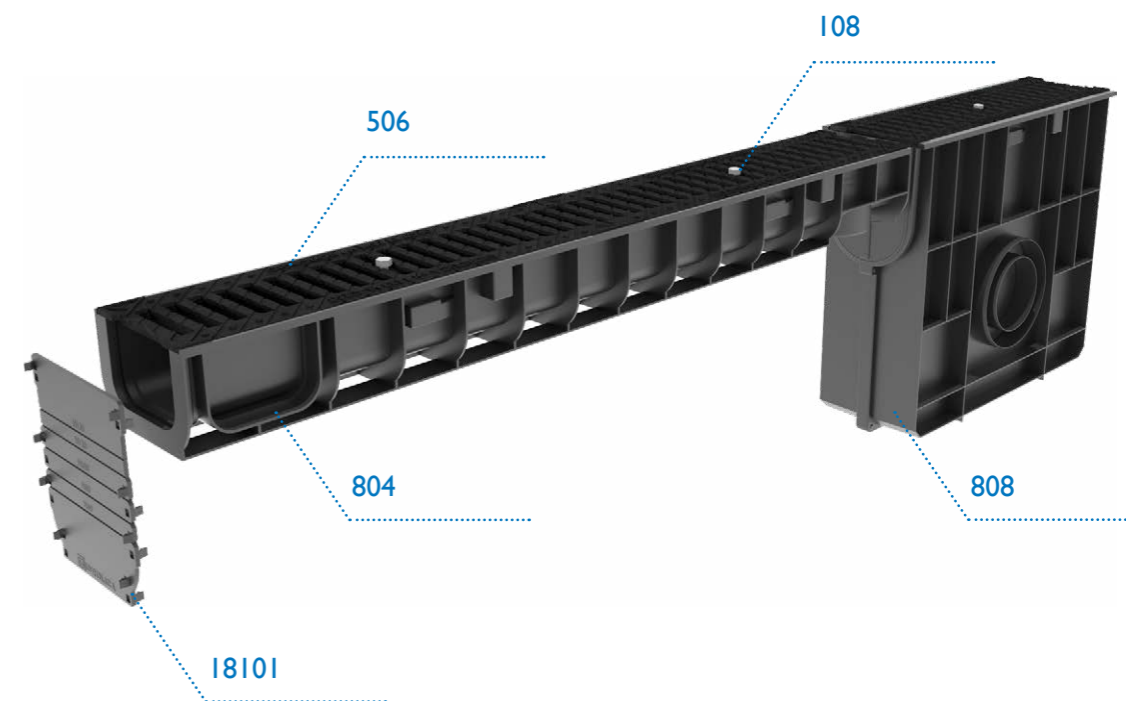


534

GIDROLICA® STANDART PRODUCT LINE



C250



506

108

804

808

18101

GIDROLICA® PRO PRODUCT LINE

Gidrolica® Pro are plastic gutters with enlarged edge for polyamide grating



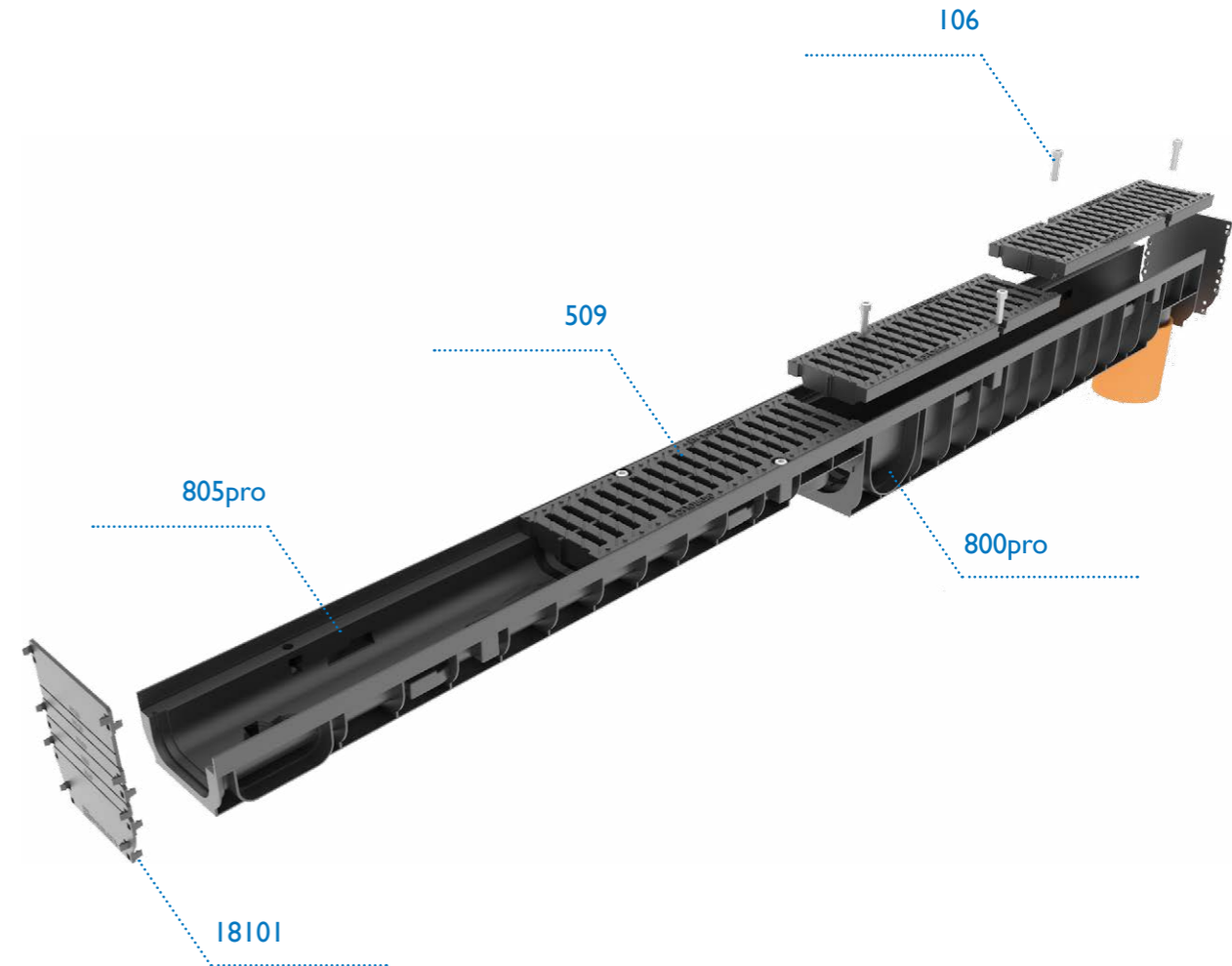
C250



GIDROLICA® PRO PRODUCT LINE



C250

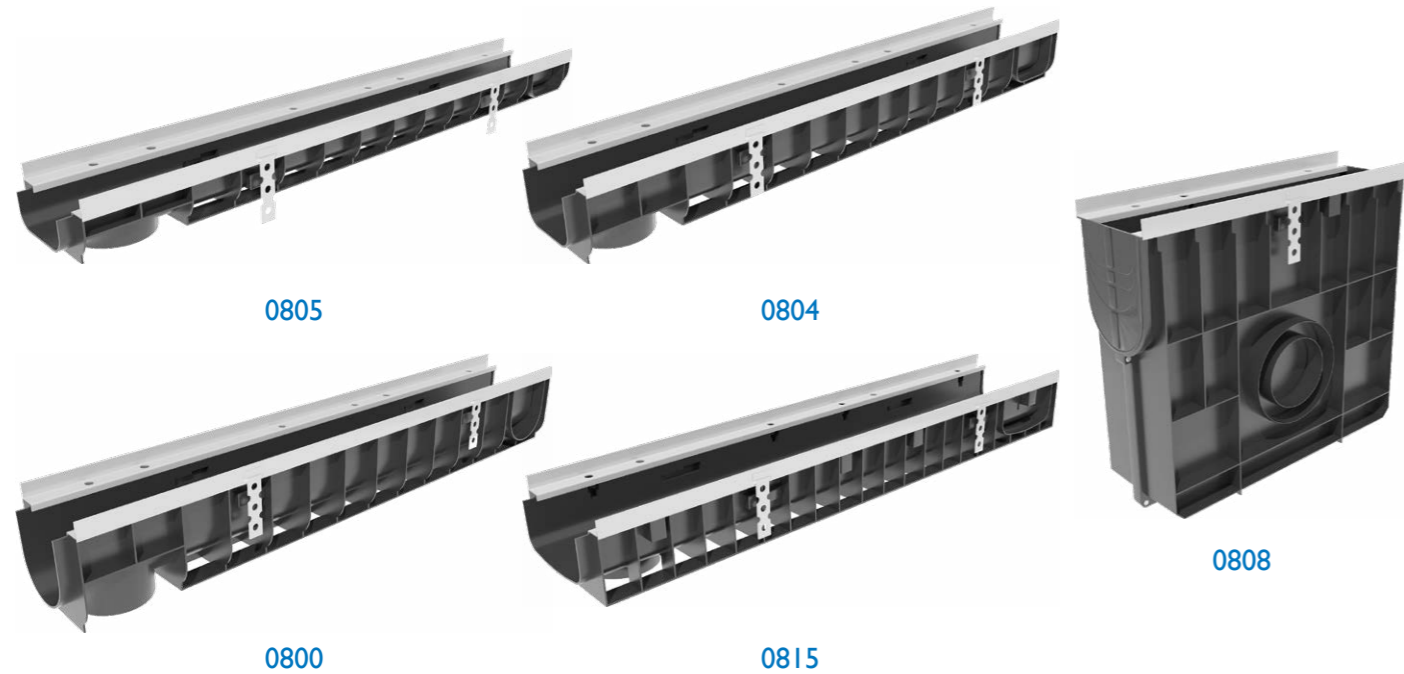


GIDROLICA® SUPER PRODUCT LINE



Gidrolica® Super is a plastic gutter reinforced with a galvanized steel top plate and embedded parts for additional retention in concrete

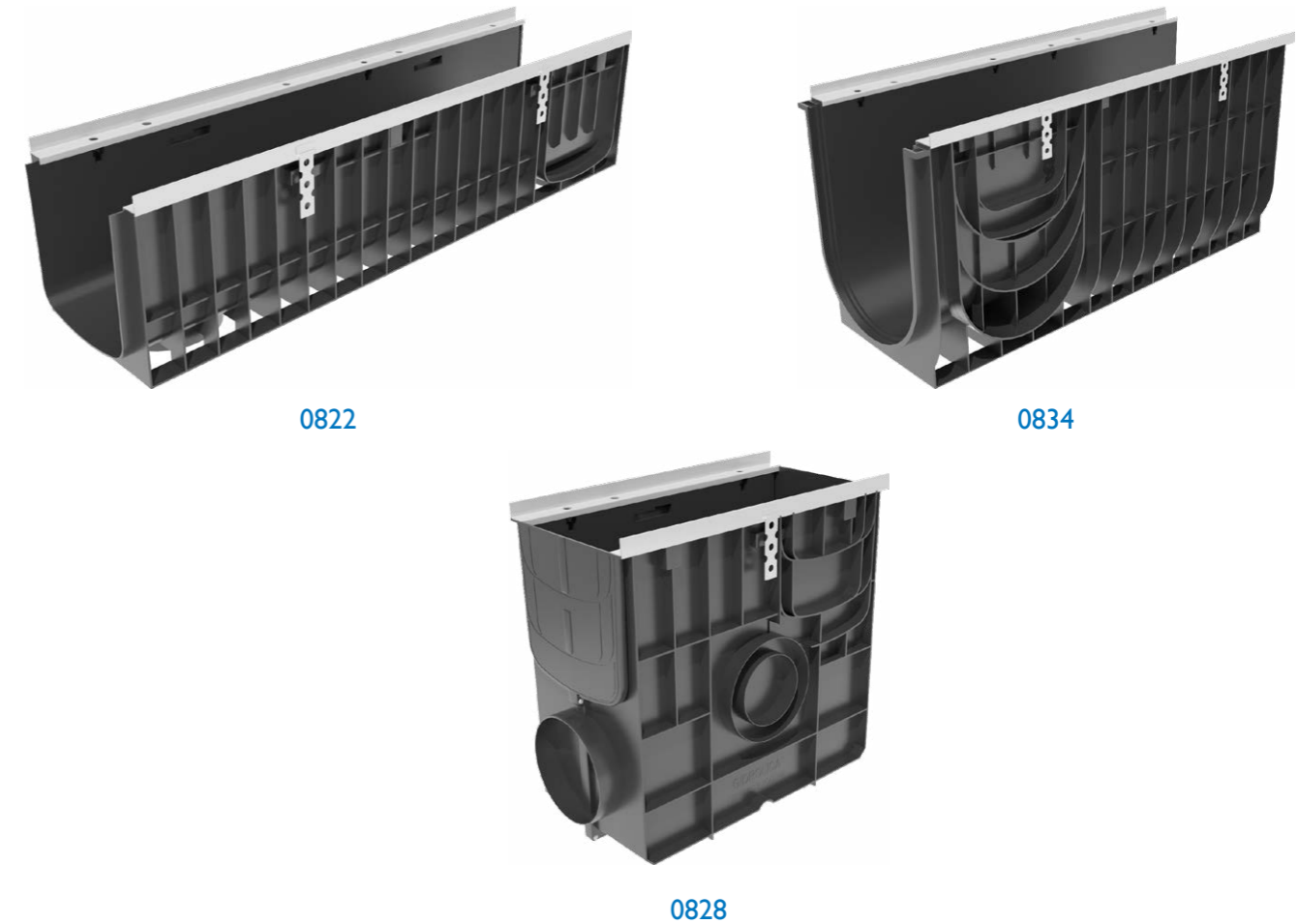
E600



GIDROLICA® SUPER PRODUCT LINE



E600





E600



50109D

50109E

50159D

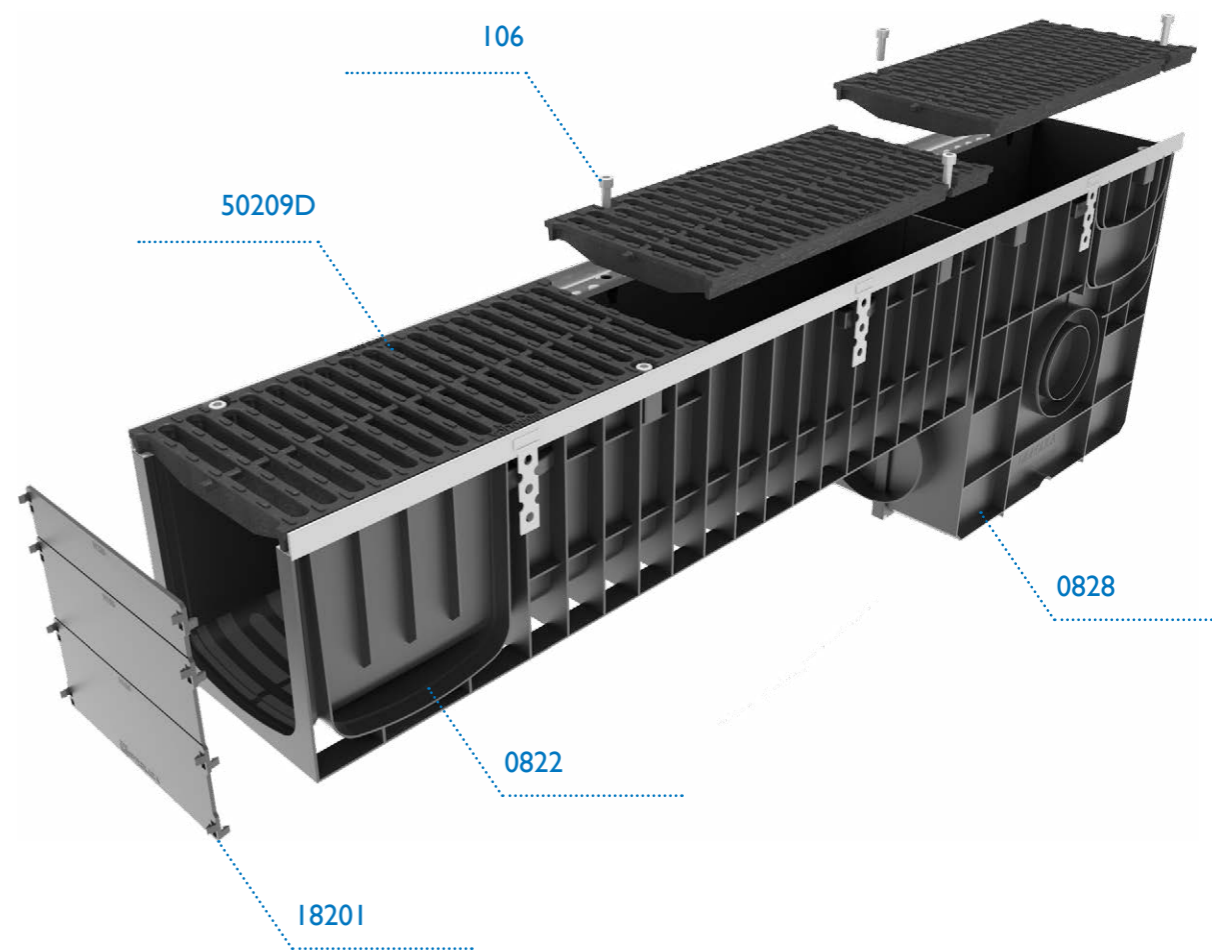
50159E



50209D

50209E

50309E



106

50209D

0828

0822

18201

GIDROLICA® POINT

Gidrolica® Point plastic rainwater inlet is the element of drainage system that is used for point collection of surface rain and snow melt waters. Rainwater inlets are used in point drainage systems, for collection of water from under rainwater pipes, along with storm sewage system

Gidrolica® Point advantages

- Structure small weight
- Filters large impurities from waste water
- Easy to install. You can install this sump by yourself without any difficulty
- Suitable for any sewage system
- High resistance to aggressive media and chemicals



GIDROLICA® RAIN

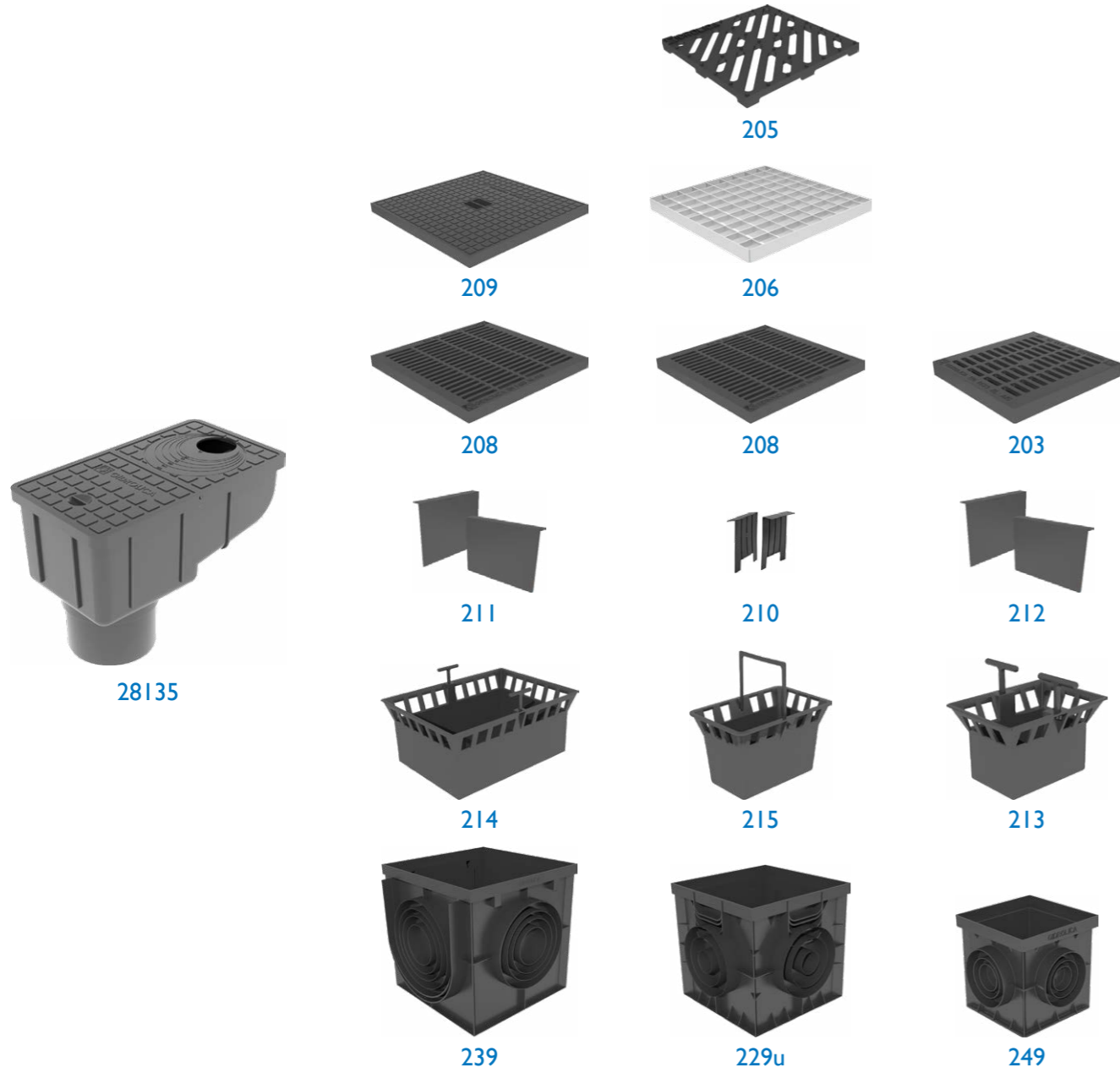
Gidrolica® Rain street plastic gulley is used for rain water drain to sewage system. It is a point rainwater inlet to the body of which roofing downpipes are attached directly vertically and this protects building pedestals against rainwater splashes and foundation against subsidence

Gidrolica® Rain advantages

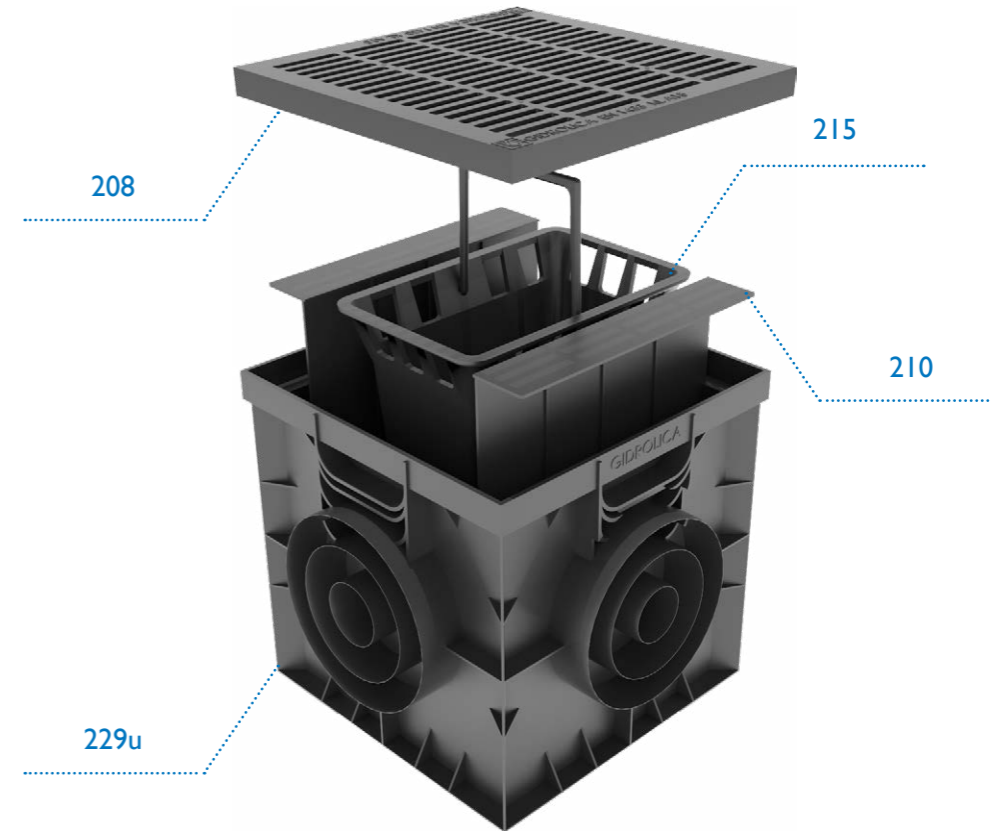
- Light weight
- Low flammability
- High resistance to aggressive media and chemicals
- UV resistant
- Drains water quickly and effectively
- Filters large impurities from waste water
- Prevents odour nuisance extent
- Suitable for any sewage system



GIDROLICA® POINT / RAIN
PRODUCT LINE



GIDROLICA® POINT
PRODUCT LINE

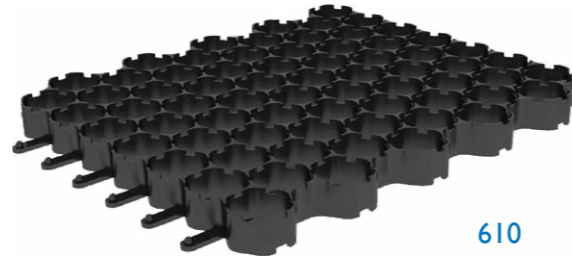


GIDROLICA® ECO / LINE PRODUCT LINE

Gidrolica® Eco is a grass grating that perfectly fits for construction of parking lots at green lawns due to its specially designed cellular structure that protects grass cover against loads of moving and parked motor vehicles and simultaneously favours growth of grass and roots

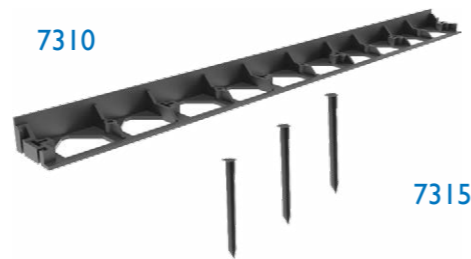


609



610

Gidrolica® Line is a plastic kerb that allows to single out and lay emphasis on different patterns and zones at the garden



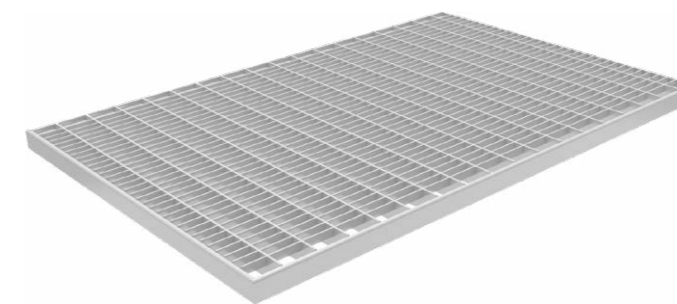
7310

7315

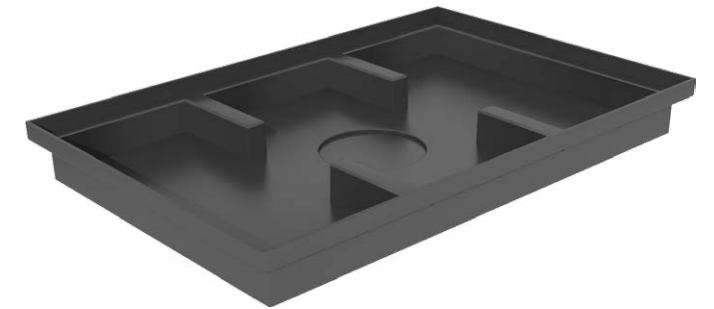


GIDROLICA® STEP PRODUCT LINE

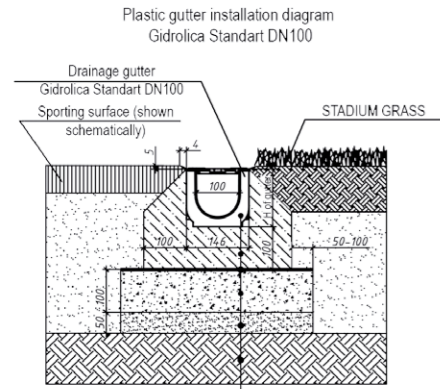
- Entrance dirt-guard system for shoes cleaning comprised of a tray and a steel cellular grating
- Entrance reliable protection against street dirt
- High reliability
- A15 load type
- Easy to install



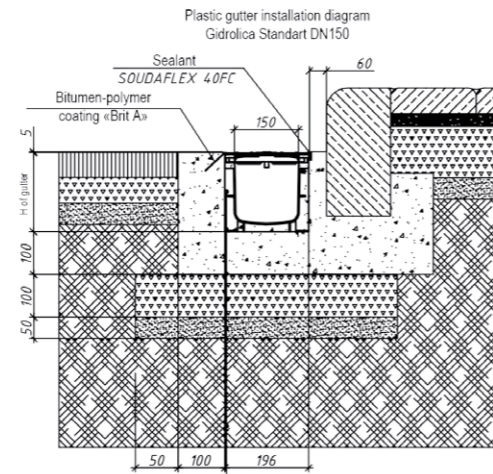
301



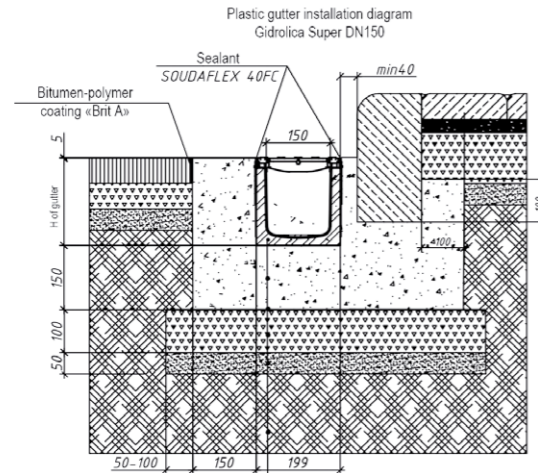
315



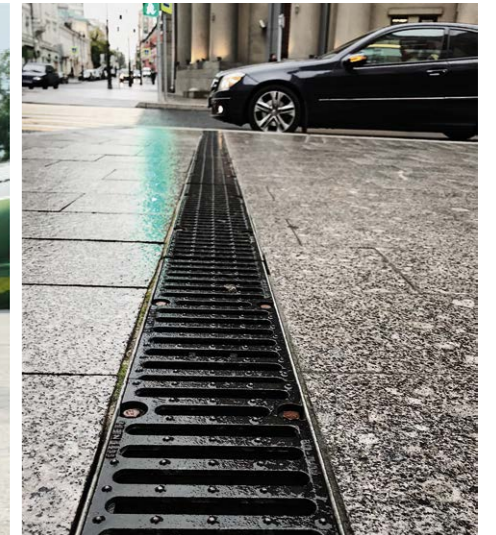
- Drainage gutter Gidrolica
- Concrete shell B20 100 mm
- 2 layers of roofing paper
- Compacted crushed rock Φ p 5-20 100 mm
- Sand levelling foundation 50 mm
- Compacted soil



- Drainage gutter of Gidrolica Standart DN150 type
- Concrete shell B25 F200 W6
- Hydro insulating material (roofing paper 2 layers)
- Compacted soil M400
- Sand levelling foundation
- Compacted soil



- Drainage gutter
- Concrete shell B25 F200 W6
- Hydro insulating material (roofing paper 2 layers)
- Compacted soil M400
- Sand levelling foundation
- Compacted soil





Pos.	Description	DN	L	W	H	Material	Load class
Gidrolica Standart							
802	Plastic drainage gutter Gidrolica Standart LV-10.14,5.18,5	DN100	1000	146	185	Plastic	A B C
804	Plastic drainage gutter Gidrolica Standart LV-10.14,5.10	DN100	1000	146	100	Plastic	A B C
805	Plastic drainage gutter Gidrolica Standart LV-10.14,5.06	DN100	1000	146	63	Plastic	A B C
800	Plastic drainage gutter Gidrolica Standart LV-10.14,5.13,5	DN100	1000	146	135	Plastic	A B C
808	Plastic sand trap Gidrolica Standart PU-10.16.42	DN100	500	160	420	Plastic	A B C
815	Plastic drainage gutter Gidrolica Standart LV-15.19,6.10	DN150	1000	196	100	Plastic	A B C
816	Plastic drainage gutter Gidrolica Standart LV-15.19,6.18,5	DN150	1000	196	185	Plastic	A B C
820	Plastic drainage gutter Gidrolica Standart LV-20.24,6.10	DN200	1000	246	100	Plastic	A B C
821	Plastic drainage gutter Gidrolica Standart LV-20.24,6.18,5	DN200	1000	246	185	Plastic	A B C
822	Plastic drainage gutter Gidrolica Standart LV-20.24,6.23,5	DN200	1000	246	235	Plastic	A B C
828	Multipurpose plastic sand trap Gidrolica Standart PU-20.24,6.46 for DN150 and DN200 plastic gutters	DN150/200	500	260	460	Plastic	A B C
830	Plastic drainage gutter Gidrolica Standart LV-30.38.38	DN300	1000	380	380	Plastic	A B C
832	Plastic drainage gutter Gidrolica Standart LV-30.38.28	DN300	1000	380	280	Plastic	A B C
834	Plastic drainage gutter Gidrolica Standart LV-30.38.48	DN300	1000	380	480	Plastic	A B C
18101	Multipurpose plastic end plug for drainage gutter Gidrolica Standart/Standart Plus DN100	DN100	152	4	185	Plastic	-
128	Gidrolica fastener for plastic drainage gutter DN200	DN200	226	40	36	Plastic	-



Pos.	Description	DN	L	W	H	Material	Load class
Gidrolica Standart							
18151	Plastic end plug for Gidrolica Standart DN150 drainage gutter	DN150	202	4	235	Plastic	-
18201	Plastic end plug for Gidrolica Standart/Standart Plus drainage gutter	DN200	252	4	235	Plastic	-
506	Cast iron slit inlet grating Gidrolica Standart RV -10.13,6.50 B4, class B125	DN100	500	136	13	Cast Iron	A B
507	Cast iron cellular inlet grating Gidrolica Standart RV -10.13,6.50 B4, class C250	DN100	500	136	13,5	Cast Iron	A B C
511	Galvanized steel cellular inlet grating Gidrolica Standart RV -15.18,7.100, class B125	DN150	1000	187	22	Steel	A B
516	Cast iron slit inlet grating Gidrolica Standart RV -15.18,6.50 B4, class C250	DN150	500	186	23	Cast Iron	A B C
517	Cast iron cellular inlet grating Gidrolica Standart RV -15.18,6.50 B4, class C250	DN150	500	186	23	Cast Iron	A B C
518	Galvanized steel formed inlet grating Gidrolica Standart RV -15.18,6.100, class A15	DN150	1000	186	15	Steel	A
522	Galvanized steel cellular inlet grating Gidrolica Standart RV -20.24.100, class B125	DN200	1000	237	22	Steel	A B
524	Cast iron slit inlet grating Gidrolica Standart RV -20.24.50 B4, class C250	DN200	500	237	24	Cast Iron	A B C
527	Cast iron cellular inlet grating Gidrolica Standart RV-20.24.50 B4, class C250	DN200	500	237	24	Cast Iron	A B C
528	Galvanized steel formed inlet grating Gidrolica Standart RV -20.24.100, class A15	DN200	1000	236	20	Steel	A
534	Cast iron slit inlet grating Gidrolica Standart PB -30.37.50 B4, class C250	DN300	500	358	40	Cast Iron	A B C
108	Gidrolica fastener for plastic drainage gutter DN100	DN100	119	28	14	Plastic	-
118	Gidrolica fastener for plastic drainage gutter DN150	DN150	176	28	15	Plastic	-



Pos.	Description	DN	L	W	H	Material	Load class
Gidrolica Light							
806	Gidrolica Light set: a plastic drainage gutter LV -10.11.5.9,5 with a galvanized steel grating RV -10.10.8.100, class A15	DN100	1000	116	96	Plastic	A
0809A	Gidrolica Light set: a plastic sand trap for plastic gutters PU 10.11.5.32 with a plastic cellular grating RV - 10.11.50, class B125	DN100	1000	116	96	Plastic	A
08098A	Gidrolica Light set: a plastic sand trap for plastic gutters PU 10.11.5.32 with a plastic cellular grating RV - 10.11.50, class B125	DN100	500	116	320	Plastic	A
0830A	Gidrolica Light set: a plastic drainage gutter LV-30.38.39,6 with a steel cellular grating RV -30.37.100	DN300	1000	380	400	Plastic	A
18061	Plastic end plug for drainage gutter Gidrolica Light	DN100	100	2,7	68	Plastic	-
18062	Plastic adapter for drainage gutter Gidrolica Light	DN100	109	109	52,5	Plastic	-
Gidrolica PRO							
800pro	Plastic drainage gutter Gidrolica Pro LV-10.14.5.15,2	DN100	1000	146	152	Plastic	A B C
804pro	Plastic drainage gutter Gidrolica Pro LV-10.14.5.11,7	DN100	1000	146	117	Plastic	A B C
805pro	Plastic drainage gutter Gidrolica Pro LV-10.14.5.08	DN100	1000	146	80	Plastic	A B C
509	Plastic slit inlet grating Gidrolica Pro RV -10.13.5.50, class C250	DN100	500	138	21	Plastic	A B C
Gidrolica Step							
315	Entrance plastic tray Gidrolica Step Pro	pcs	600	400	64	Plastic	A
301	Galvanized steel cellular grating Gidrolica Step Pro 390x590mm	pcs	590	390	20	Steel	A



Pos.	Description	DN	L	W	H	Material	Load class
Gidrolica Super							
805	Plastic drainage gutter Gidrolica Super LV -10.14.5.08, class E600	DN100	1000	149	81,5	Plastic	A B C D E
804	Plastic drainage gutter Gidrolica Super LV -10.14.5.12, class E600	DN100	1000	149	118,5	Plastic	A B C D E
800	Plastic drainage gutter Gidrolica Super LV -10.14.5.15,5, class E600	DN100	1000	149	153,5	Plastic	A B C D E
808	Plastic sand trap Gidrolica Super PU -10.16.44, class E600	DN100	500	160	478	Plastic	A B C D E
50109D	Cast iron slit inlet grating Gidrolica Super RV -10.14.50 B4, class D400	DN100	500	140	21	Cast Iron	A B C D
50109E	Cast iron slit inlet grating Gidrolica Super PB -10.14.50 B4, class E600	DN100	500	140	21	Cast Iron	A B C D E
815	Plastic drainage gutter Gidrolica Super LV -15.19.6.11,8, class E600	DN150	1000	199	118,5	Plastic	A B C D E
50159D	Cast iron slit inlet grating Gidrolica Super RV -15.19.50 B4, class D400	DN150	500	190	21	Cast Iron	A B C D
50159E	Cast iron slit inlet grating Gidrolica Super RV -15.19.50 B4, class E600	DN150	500	190	21	Cast Iron	A B C D E
822	Plastic drainage gutter Gidrolica Super LV -20.24.6.25, class E600	DN200	1000	249	253	Plastic	A B C D E
828	Plastic sand trap Gidrolica Super PU -20.25.47,8, class E600	DN150/200	540	260	478	Plastic	A B C D E
50209D	Cast iron slit inlet grating Gidrolica Super RV -20.24.50 B4, class D400	DN200	500	240	21	Cast Iron	A B C D
50209E	Cast iron slit inlet grating Gidrolica Super RV -20.24.50 B4, class E600	DN200	500	240	21	Cast Iron	A B C D E
834	Plastic drainage gutter Gidrolica Super LV-30.38.49,6, class E600	DN300	1000	383	495,5	Plastic	A B C D E
50309E	Cast iron slit inlet grating Gidrolica Super RV-30.37.5.50 B4, class E600	DN300	500	375	21	Cast Iron	A B C D E
106	Gidrolica fastener for plastic drainage gutter	-	-	-	-	Steel	-



Pos.	Description	DN	L	W	H	Material	Load class
Gidrolica Point							
239	Plastic rainwater inlet Gidrolica Point DP-40.40	pcs	400	400	400	Plastic	A B C
211	Plastic baffle-trap for rainwater inlet Gidrolica Point DP 40.40	pcs	353,5	2,5	289,5	Plastic	-
214	Plastic basket for rainwater inlet Gidrolica Point DP 40.40	pcs	350	262	150	Plastic	-
207	Plastic inlet grating Gidrolica Point RV-40.40, class A15	pcs	390	390	35	Plastic	-
209	Plastic cover for rainwater inlet Gidrolica Point DP 40.40	pcs	390	390	35	Plastic	-
229u	Multipurpose plastic rainwater inlet Gidrolica Point DP-30.30	pcs	300	300	300	Plastic	A B C
210	Plastic baffle-trap for rainwater inlet Gidrolica Point 30.30	pcs	250	2,5	242	Plastic	-
215	Plastic basket for rainwater inlet Gidrolica Point 30.30	pcs	245	158	157	Plastic	-
205	Cast iron slit inlet grating Gidrolica Point RV-28,5.28,5, class C250	pcs	285	285	21	Cast Iron	A B C
208	Plastic inlet grating Gidrolica Point RV-28,5.28,5, class A15	pcs	285	285	21	Plastic	-
206	Galvanized steel cellular inlet grating Gidrolica Point RV-28,5.28,5, class B125	pcs	285	285	21	Steel	-
249	Plastic rainwater inlet Gidrolica Point DP-20.20	pcs	200	200	200	Plastic	A B C
212	Plastic baffle-trap for rainwater inlet Gidrolica Point DP-20.20	pcs	158,8	2,5	130	Plastic	-
213	Plastic basket for rainwater inlet Gidrolica Point DP-20.20	pcs	156	115	99,5	Plastic	-
203	Plastic grating for rainwater inlet Gidrolica Point RV-20.20, class. A15	pcs	188	188	20	Plastic	A

Pos.	Description	DN	L	W	H	Material	Load class
Gidrolica Point							
28135	Plastic street gully Gidrolica Rain TU-30.16,6.20 with a plastic blank cover	pcs	300	166	200	Plastic	A
609	Plastic green grass grating Gidrolica Eco Normal RG-53.43.3,5	pcs	530	430	33	Plastic	A B C
610	Plastic black grass grating Gidrolica Eco Normal RG-53.43.3,5	pcs	530	430	33	Plastic	A B C
7310	Plastic black kerb Gidrolica Line B-100.8.4.5 L1000	pcs	1000	80	45	Plastic	-
7315	Fastening anchor Gidrolica Line KYa-B for kerb B-300.8,5.4.5	pcs	24	24	252	Plastic	-
7305	Plastic black kerb Gidrolica Country B-10000.2.11 L10000	pcs	10000	20	110	Plastic	-



8, 4 km Il'inskogo shosse, (Muzej
Tekhniki), office 310, Moskovskaya
oblast', Krasnogorskiy rajon, 143420,
Russia

+7 495 221-60-66

